

For Residential Applications

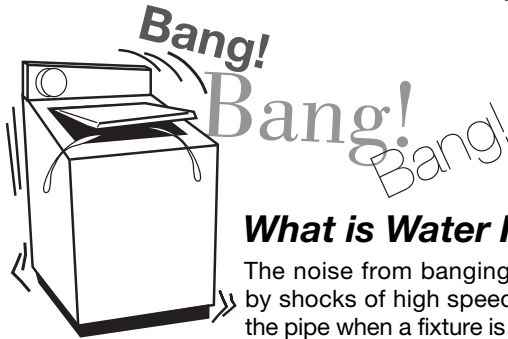
Job Name _____
 Job Location _____
 Engineer _____
 Approval _____

Contractor _____
 Approval _____
 Contractor P.O. No. _____
 Representative _____

Series 150A

Water Hammer Arrestors

Recommended for residential/domestic water system applications



What is Water Hammer?

The noise from banging pipes is caused by shocks of high speed water flowing in the pipe when a fixture is suddenly closed.

Sudden stoppage causes a "bounceback" of the water and is called water hammer. It might be compared to driving your car at slow speed into a wall where the effect is negligible. However, if you drove the car at a much higher speed, the impact would be greater, and consequently so would the bounceback or shock.

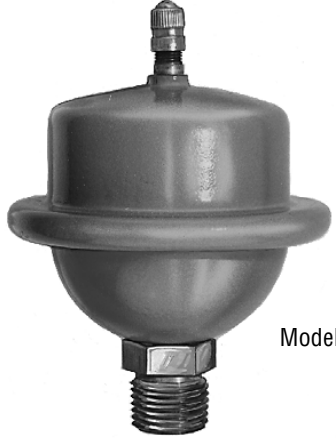
Dishwashers, clothes washers, quick closing faucets all contribute to creating water hammer which is not only annoying but damaging to pipes and appliances. The simple, economical solution is Watts No. 150A designed with a pre-charged air chamber and a rugged sealed-in diaphragm which flexes to absorb the shock. It can be installed vertically, horizontally or at any angle.

Features

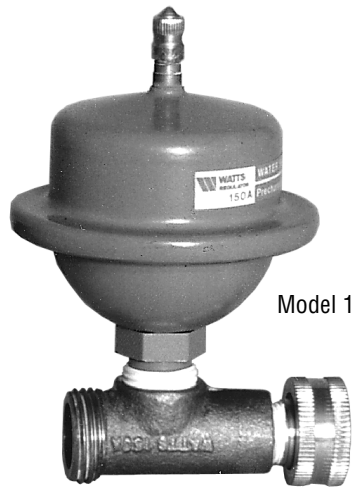
- Pre-charged air chamber
- Sealed in diaphragm
- Rechargeable

Specifications

For residential/domestic water systems only. Size 1/2".
 Maximum working pressure 150 PSIG. Maximum temperature 180°F. Maximum velocity 10 F.P.S. Maximum shock pressure 200 PSIG. Complete stainless steel chamber construction. 10 cu. inch total volume. Weight 12 oz.



Model 150A

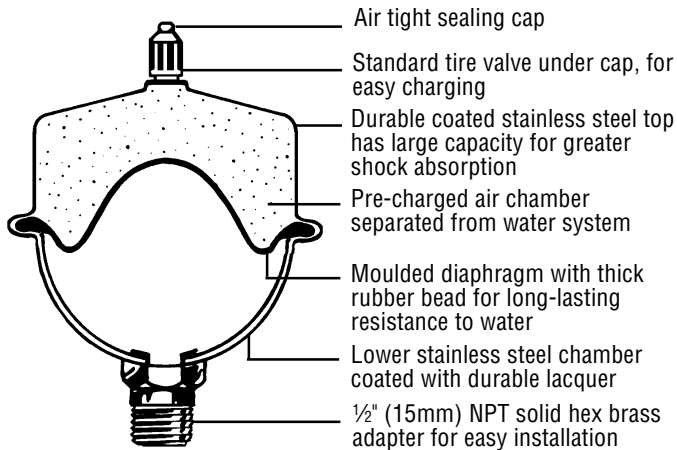


Model 150A-HA

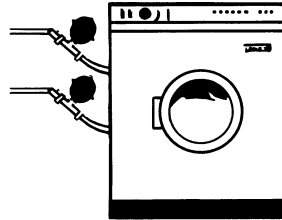
Model No.	Ordering Code No.	Size
WATER HAMMER ARRESTOR (only)		
150A	0269503	1/2"
FITTING only for 1/2" SHOCK ARRESTOR for WASHING MACHINES with 3/4" hose thread connection		
150-HA	0269505	3/4" HT
WATER HAMMER ARRESTOR and FITTING with 3/4" hose thread connection for washing machines		
150A-HA	0269508	3/4" HT

NOTE: Watts product specifications in U.S. customary units and metric are approximate and are provided for reference only. Watts reserves the right to change or modify product design, construction, specifications, or materials without prior notice and without incurring any obligation to make such changes and modifications on Watts products previously or subsequently sold.

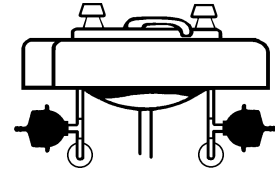




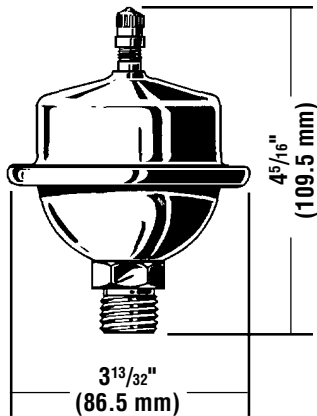
Clothes Washers



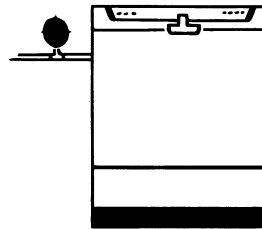
Quick-Closing Faucets



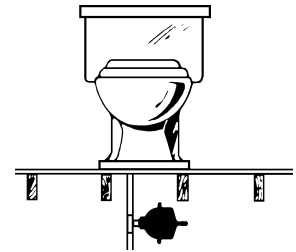
Dimensions - Weight



Dishwashers



Fast-Fill Toilets



Nominal Pipe Size	Length Pipe Up to	Flow Pressure - PSIG and Number of 150A valves to install															
		psi 30	bar 2.11	psi 40	bar 2.81	psi 50	bar 3.52	psi 60	bar 4.22	psi 70	bar 4.92	psi 80	bar 5.62	psi 90	bar 6.33	psi 100	bar 7.03
1/2"	50	150A	→	→	→	→	→	→	→	→	→	→	→	→	→	→	→
	75	150A	→	→	→	→	→	→	→	→	→	→	→	→	→	→	→
	100	150A	→	→	→	→	→	→	→	→	→	→	→	→	→	→	→
3/4"	25	150A	→	→	→	→	→	→	→	→	→	→	→	→	→	→	→
	50	150A	→	→	→	→	→	→	→	→	→	→	→	→	→	→	→
	75	150A	→	→	→	→	→	→	→	→	→	→	→	→	→	→	→
1"	25	150A	→	→	→	→	→	→	→	→	→	→	→	→	→	→	→
	50	2-150A	→	→	→	→	→	→	→	→	→	→	→	→	→	→	→
	75	2-150A	→	→	→	→	→	→	→	→	→	→	→	→	→	→	→
1 1/4"	25	2-150A	→	→	→	→	→	→	→	→	→	→	→	→	→	→	→

Chart based on 10 F.P.S. (3.05 MPS) velocity and 150 PSIG (10.55 Bar) shock pressure. **Note:** Metric equivalents shown are for comparison reference only.

A LEADER IN VALVE TECHNOLOGY

ISO 9001
 CERTIFIED

WATTS
REGULATOR
Since 1874
 Watts Industries, Inc.
 Water Products Division • Safety & Control Valves

USA: 815 Chestnut St., No. Andover, MA 01845-6098; www.wattsreg.com

Canada: 5435 North Service Rd., Burlington, ONT, L7L 5H7; www.wattscda.com